

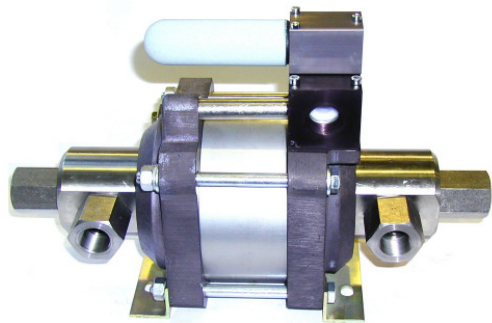
MAXIMATOR®

Maximum Pressure.



High Pressure Technology • Testing Equipment
Hydraulics • Pneumatics

Technical Data Sheet



G25D
double acting, single air drive head
(Standard= Bottom inlet)

G25D

» Oil service

G25DVE

» Water service

Technical Data:

Air drive pressure:	1-10 bar / 14,5 - 145psi
Calculated Outlet Pressure at an air drive of 10 bar/145 psi:	270 bar/ 3,915 psi
Pressure ratio:	1:27
Displacement volume/double stroke	70.6 cm ³ / 4.31 cu.inch

Connections:

Inlet:	Standard: Bottom Inlet 3/4 BSP
Outlet:	3/4 BSP
Air drive:	3/4 BSP
Maximum operating temperature:	60°C
Net weight:	19.0 kg

Pressure and flow performances, please see enclosed graph.

Wetted materials of construction:

Seal package:	G25D: Polyurethan, NBR G25DVE: UHMWPE, FKM
Pump Body:	1.4305
Piston:	1.4112 (hardened)
Fittings:	1.4571

Approximate Dimensions:

Height:	412 mm
Depth:	181 mm
Width:	272 mm

Available Options:

Seal material for oil service:	G25D
Seal material for water service:	G25DVE
Side inlet	G25DS/ G25DVES
Special inlet and outlet ports, i.e. NPT	G25D-NPT G25DVE-NPT

Special seal material to handle special fluids on request.

Available Accessories:

Air control units with filter pressure regulator, control pressure gauge and shut off valve:	G25D with C2
To protect the pump against excessive outlet pressures or to limit the outlet pressure, a safety valve can be fitted to the air control unit in the air drive line:	G25D with C2/SVair (The required outlet pressure has to be indicated.)

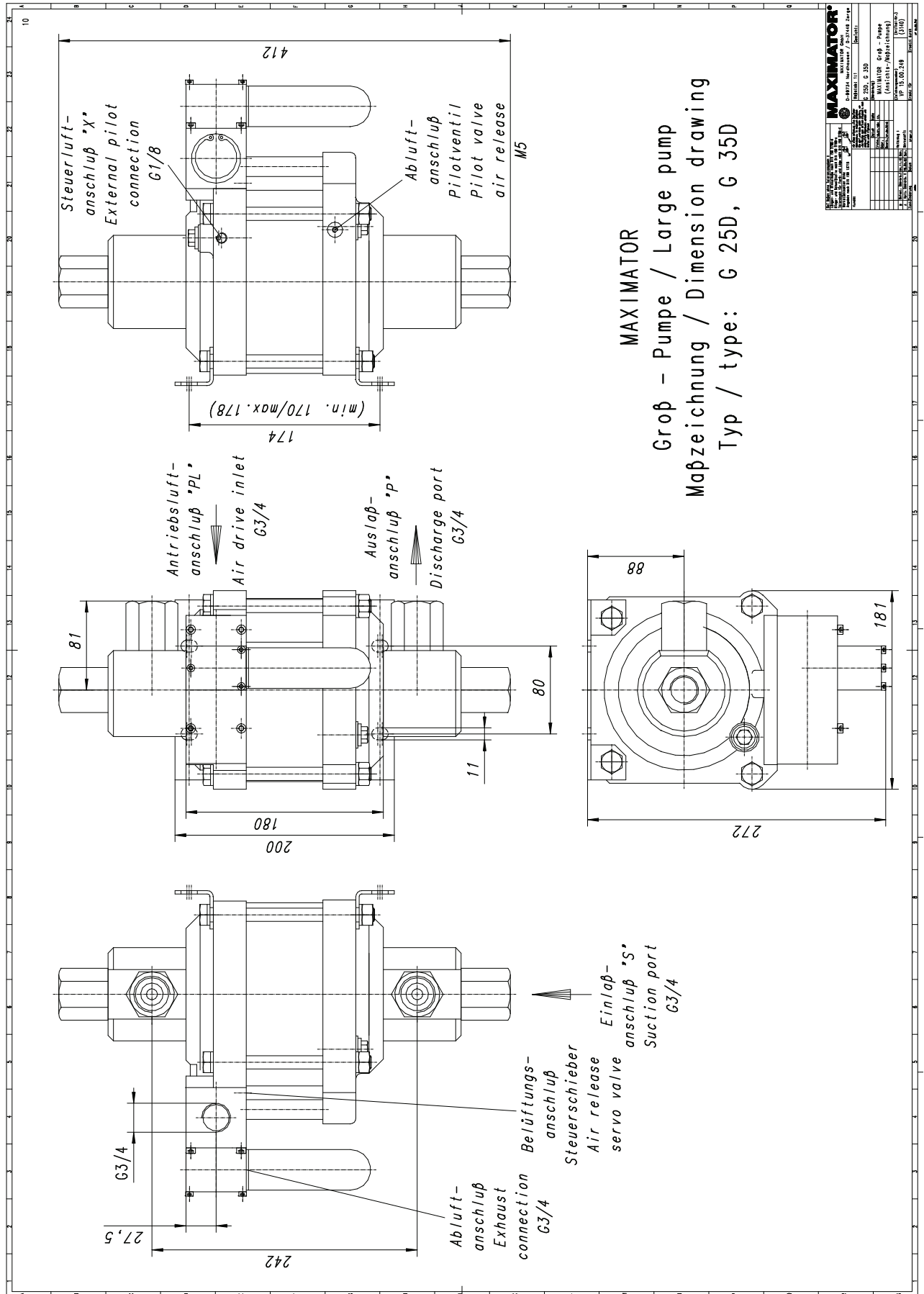
Please consult factory for more information. All technical and dimensional information subject to change. All General Terms and Conditions of sale, including limitations of our liability, apply to all products and services sold.

MAXIMATOR®

Maximum Pressure.



High Pressure Technology • Testing Equipment
Hydraulics • Pneumatics





High Pressure Technology • Testing Equipment
Hydraulics • Pneumatics

Leistungsdiagramm/Performance Graph G 25 D

Prüfflüssigkeit/Test Liquid: Wasser-Öl-Emulsion/Water Oil Emulsion ca. 1 - 10 cst

